



# TEL-31/35-NE

Telescopic Aerial Lift



## DEMAND BETTER

Hydraulic Leveled Platform allows for simplified cleaning and safe removal of an injured operator

180° Hydraulic Platform Rotation

Non-Insulated Aluminum Inner Boom for increased payload and less wear and tear on chassis

Electric Single Stick Control



360° Turret Rotation

- Working Height: Up to 40' 11"
- Horizontal Reach: Up to 20' 7"
- Platform Capacity: Up to 440 lbs.



For more information about the TEL-31/35-NE or any of the other outstanding VERSALIFT machines, contact your authorized VERSALIFT Distributor or call 1.800.825.1085.



# TEL-31/35-NE

## Telescopic Aerial Lift

### GENERAL SPECIFICATIONS

	TEL-31-NE	TEL-35-NE
Horizontal Reach	16 ft. 7 in. (5.05 m)	20 ft. 7 in. (6.27 m)
Rated Platform Capacity	440 lbs. (200 kg)	440 lbs. (200 kg)
Outer Boom Travel	-25° to +80°	-25° to +80°
Inner Boom Extension	92 in. (2.34 m)	116 in. (2.95 m)
Ambient Temperature Range for Structural Integrity	-40°F (-40°C) to 125°F (52°C)	-40°F (-40°C) to 125°F (52°C)

### STANDARD PEDESTAL<sup>1</sup>

	TEL-31-NE	TEL-35-NE
Height to Bottom of Platform	30 ft. 11 in. (9.42 m)	34 ft. 11 in. (10.64 m)
Working Height	35 ft. 11 in. (10.95 m)	39 ft. 11 in. (12.17 m)
Stowed Travel Height	10 ft. 10 in. (3.30 m)	10 ft. 10 in. (3.30 m)
Weight of Lift w/Mounting Hardware <sup>2</sup>	1545 lbs. (701 kg)	1575 lbs. (714 kg)

### 6 IN. (152 MM) TALLER PEDESTAL<sup>1</sup>

	TEL-31-NE	TEL-35-NE
Height to Bottom of Platform	31 ft. 5 in. (9.58 m)	35 ft. 5 in. (10.80 m)
Working Height	36 ft. 5 in. (11.10 m)	40 ft. 5 in. (12.32 m)
Stowed Travel Height	11 ft. 4 in. (3.45 m)	11 ft. 4 in. (3.45 m)
Weight of Lift w/Mounting Hardware <sup>2</sup>	1560 lbs. (708 kg)	1590 lbs. (721 kg)

### 12 IN. (305 MM) TALLER PEDESTAL<sup>1</sup>

	TEL-31-NE	TEL-35-NE
Height to Bottom of Platform	31 ft. 11 in. (9.73 m)	35 ft. 11 in. (10.95 m)
Working Height	36 ft. 11 in. (11.25 m)	40 ft. 11 in. (12.47 m)
Stowed Travel Height	11 ft. 10 in. (3.61 m)	11 ft. 10 in. (3.61 m)
Weight of Lift w/Mounting Hardware <sup>2</sup>	1575 lbs. (714 kg)	1605 lbs. (728 kg)

1. Heights based on 40 in. (1.02 m) frame height with bottom of pedestal mounted 5 in. (127 mm) above the top of the frame.

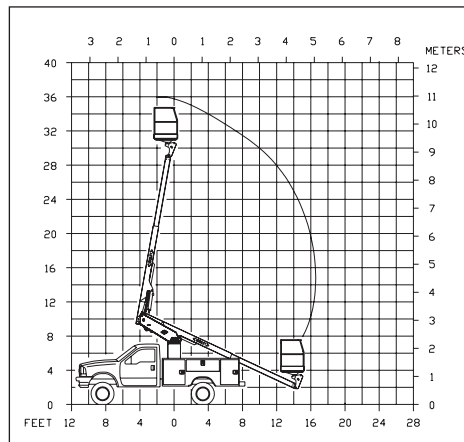
2. Weight based on standard lift configuration and 125 lbs (56.7 kg) mounting hardware.

NOTES:

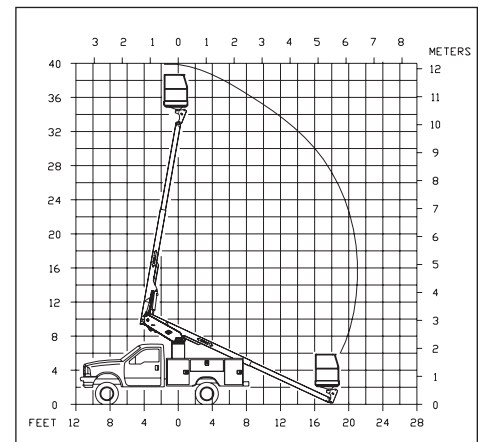
Specifications may vary without prior notification.



- 180 degree Platform Rotation
- Emergency Power
- Individual Upper Controls
- Two man Steel or Fiberglass Platform Available
- 6" or 12" Taller Pedestal



TEL-31-NE



TEL-35-NE



**TIME**  
MANUFACTURING COMPANY  
P.O. Box 20368  
Waco, TX 76702-0368  
254.399.2100  
Fax: 254.399.2651  
1.800.825.1085  
www.timemfg.com

